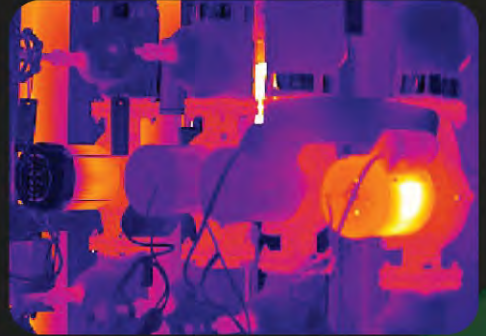
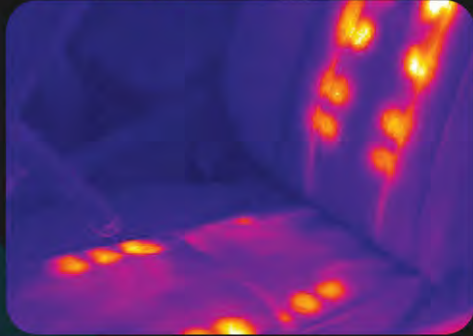
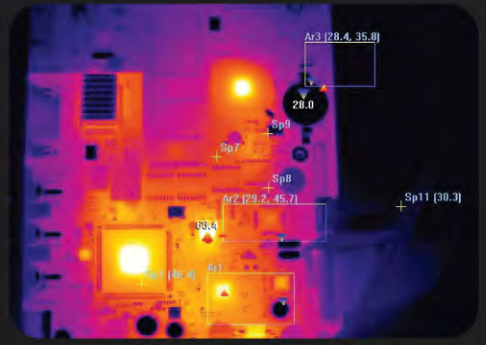
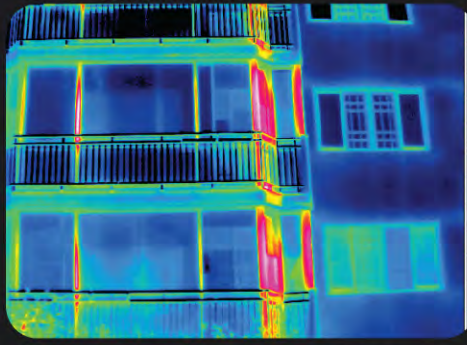
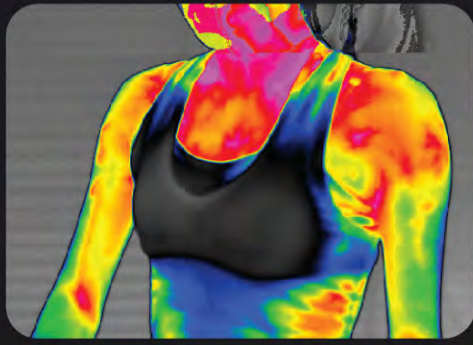


Thermal Imaging Camera

Do not believe your eyes, Do believe your CX series.



See what you
can't see...!!!

Key Feature

- ↪ Output Temp. RAW DATA and analog. image simultaneously!
- ↪ Crisp and clear image :
384 x 288, 25 μ m
640 x 480, 17 μ m
- ↪ Easy to configure and operate
- ↪ Easy to install
- ↪ Remote camera control via RS-485, Ethernet
- ↪ Electronic zoom x2, x4
- ↪ Small size and weight

Applications

- ↪ Border control
- ↪ Commercial Surveillance
- ↪ Perimeter security
- ↪ Firefighting
- ↪ Law enforcement
- ↪ Night vision
- ↪ Maritime, Airborne
- ↪ Research & Development
- ↪ Building Diagnostics
- ↪ Furnace & Boiler Inspection



*Specifications and Design are subject to change without notice.
©Copyright 2012, COX Co., Ltd

Technical Specifications



SELECTION GUIDE

	Resolution	Pitch	Measurement	HDMI Video	Raw data/Ethernet control	Temperature data
CX300	384x288	25um	NO	YES	NO	NO
CX320			YES	NO	YES	YES
CX600	640x480	17um	NO	YES	NO	NO
CX640			YES	YES	YES	YES

SPECIFICATION

Detector type	Focal Plane Array(FPA) Uncooled microbolometer	F-number	F=1.0
Response Time	<10ms	Frame rate	50Hz(PAL) / 60Hz(NTSC)
Detector spectrum length	8~14um	Digital zoom function	2x, 4x
Focusing range	∞~0.3m(0.98ft)	Working temperature range	-15°C to 50°C(5°F to 122°F)
Thermal sensitivity(NETD)	<80mK @ f/1, 60Hz, 300K	Storage temperature range	-40°C to 70°C(-40°F to 158°F)
Standard lens	20mm	Object temperature range	-20°C to 650°C(-4°F to 1202°F)
		Housing	Indoor

MEASUREMENT

Temperature Normal range	-20°C to 120°C (-4°F to 248°F)
Temperature High range	-20°C to 650°C (-4°F to 1,202°F)
Accuracy	± 2°C or 2%
Spot	O(camera), O(PC software)
Area	X(camera), O(PC software)
Isotherm	O(camera), O(PC software)
Atmospheric transmissivity correction	O(camera), O(PC software)
Emissivity correction	O(camera), O(PC software)

FEATURE

Composite video	NTSC/PAL compatible
Alarm output	2 ports Relay(max 250VDC, max 200mA) user setting event triggered
Camera control	Ethernet(Free PC soft) RS485(PELCO D protocol)
Digital video	Ethernet, HDMI
Image setting	Automatic Gain Control(AGC) Image Enhancement NUC (Manual, Interval) Menu OSD

ETHERNET

Ethernet	10/100 base
Ethernet protocol	TCP, DHCP
Ethernet Raw Streaming	COX proprietary Temperature

PACKAGE CONTENT

Power supply	110-220V AC (DC 12V)
Power cable	
Ethernet cable	
Manuals (English)	
RCA cable	
Software	ThermalCam Monitor ThermalReport ThermalCamUserControl

LENS

Standard	20mm(F=1.0)
Available	50mm, 75mm, 100mm(F=1.0)

VIEW ANGLE

	20mm		50mm		75mm		100mm	
	Horizontal	Vertical	Horizontal	Vertical	Horizontal	Vertical	Horizontal	Vertical
384*288 (PAL)	26°	20°	11°	8°	7°	5°	5°	4°
320*240 (NTSC)	22°	17°	9°	7°	6°	5°	5°	3°
640*480	29°	22°	12°	9°	8°	6°	6°	5°

MAN
 Detection : 404m 1,325ft
 Recognition : 96m 315ft

OBJECT
 Detection : 1,161m 3,809ft
 Recognition : 310m 1,017ft

CX320
(with 20mm lens)

MAN
 Detection : 808m 2,651ft
 Recognition : 192m 630ft

OBJECT
 Detection : 2,322m 7,618ft
 Recognition : 619m 2,031ft

CX640
(with 20mm lens)

MAN
 Detection : 1,002m 3,287ft
 Recognition : 239m 784ft

OBJECT
 Detection : 2,881m 9,452ft
 Recognition : 768m 2,520ft

CX320-50
(with 50mm lens)

MAN
 Detection : 2,004m 6,575ft
 Recognition : 477m 1,565ft

OBJECT
 Detection : 5,761m 18,901ft
 Recognition : 1,536m 5,039ft

CX640-50
(with 50mm lens)

MAN
 Detection : 1,499m 4,918ft
 Recognition : 357m 1,171ft

OBJECT
 Detection : 4,309m 14,137ft
 Recognition : 1,149m 3,770ft

CX320-75
(with 75mm lens)

MAN
 Detection : 2,998m 9,836ft
 Recognition : 714m 2,342ft

OBJECT
 Detection : 8,618m 28,274ft
 Recognition : 2,298m 7,539ft

CX640-75
(with 75mm lens)

MAN
 Detection : 2,409m 7,903ft
 Recognition : 575m 1,886ft

OBJECT
 Detection : 6,926m 22,723ft
 Recognition : 1,847m 6,059ft

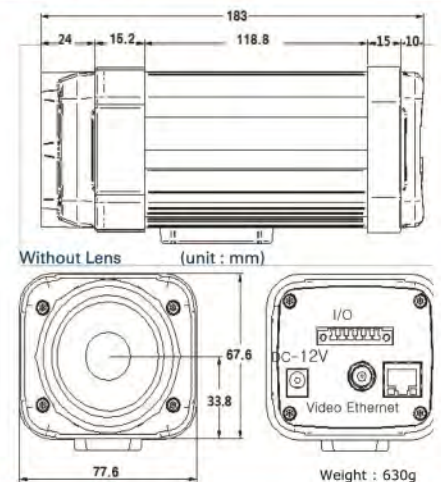
CX320-100
(with 100mm lens)

MAN
 Detection : 4,015m 13,172ft
 Recognition : 959m 3,146ft

OBJECT
 Detection : 11,543m 37,871ft
 Recognition : 3,078m 10,098ft

CX640-100
(with 100mm lens)

DIMENSIONS



Cox Co., Ltd.

#904, Ace Twin Tower 1cha, 212-2
 Guro-dong, Guro-gu, Seoul, Korea
 Tel: +82-2-857-3888
 Fax: +82-2-2109-6131
 E-mail : sales@coxcamera.com



* Actual range may vary depending on camera set up, environmental conditions, user experience and type of monitor of display used.

Made in Korea